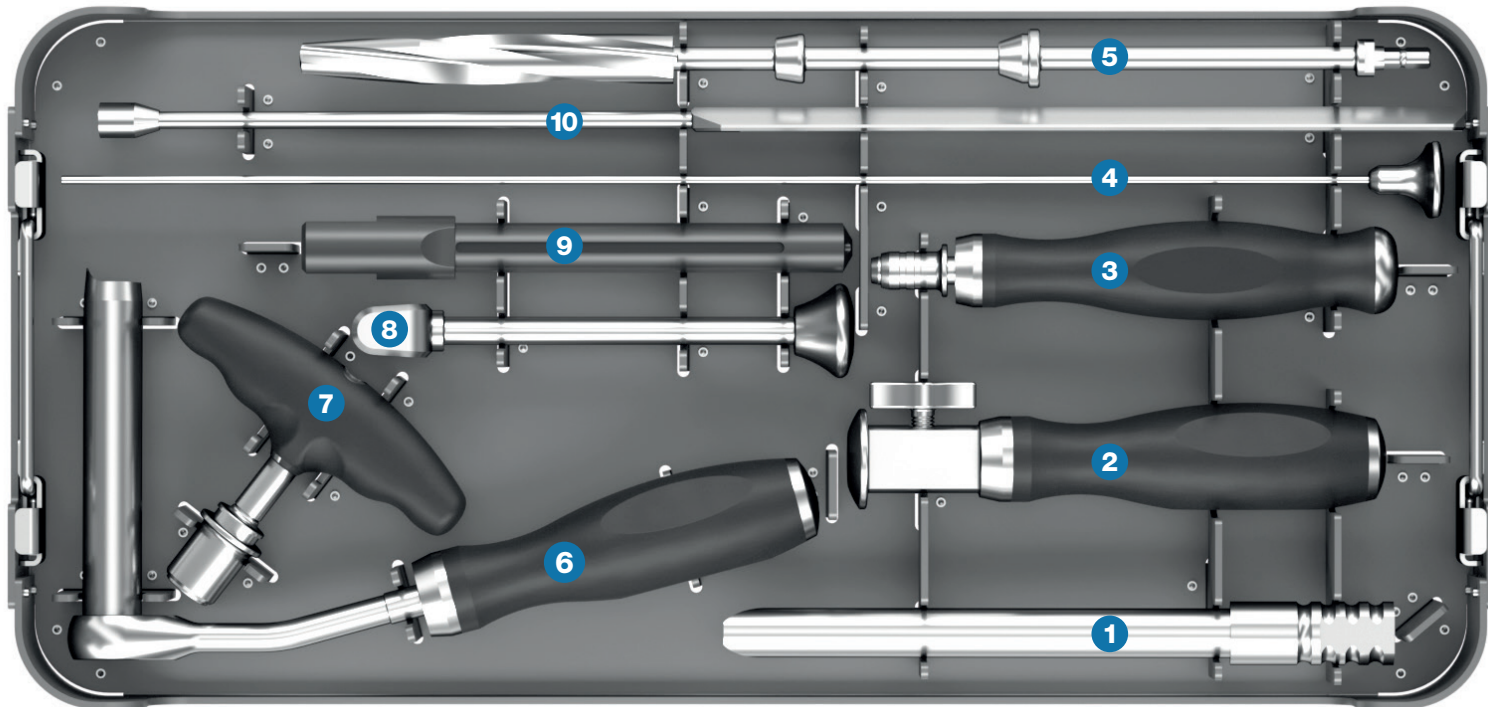
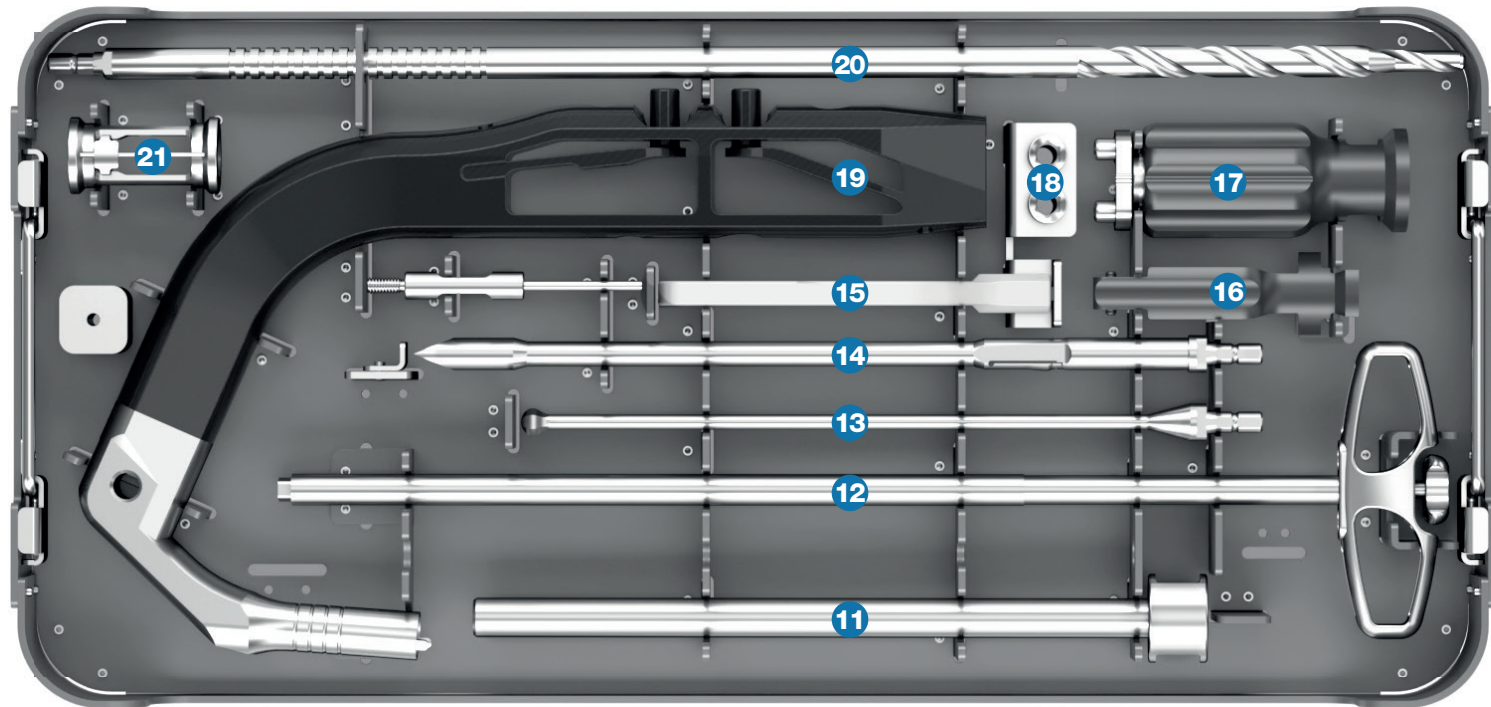


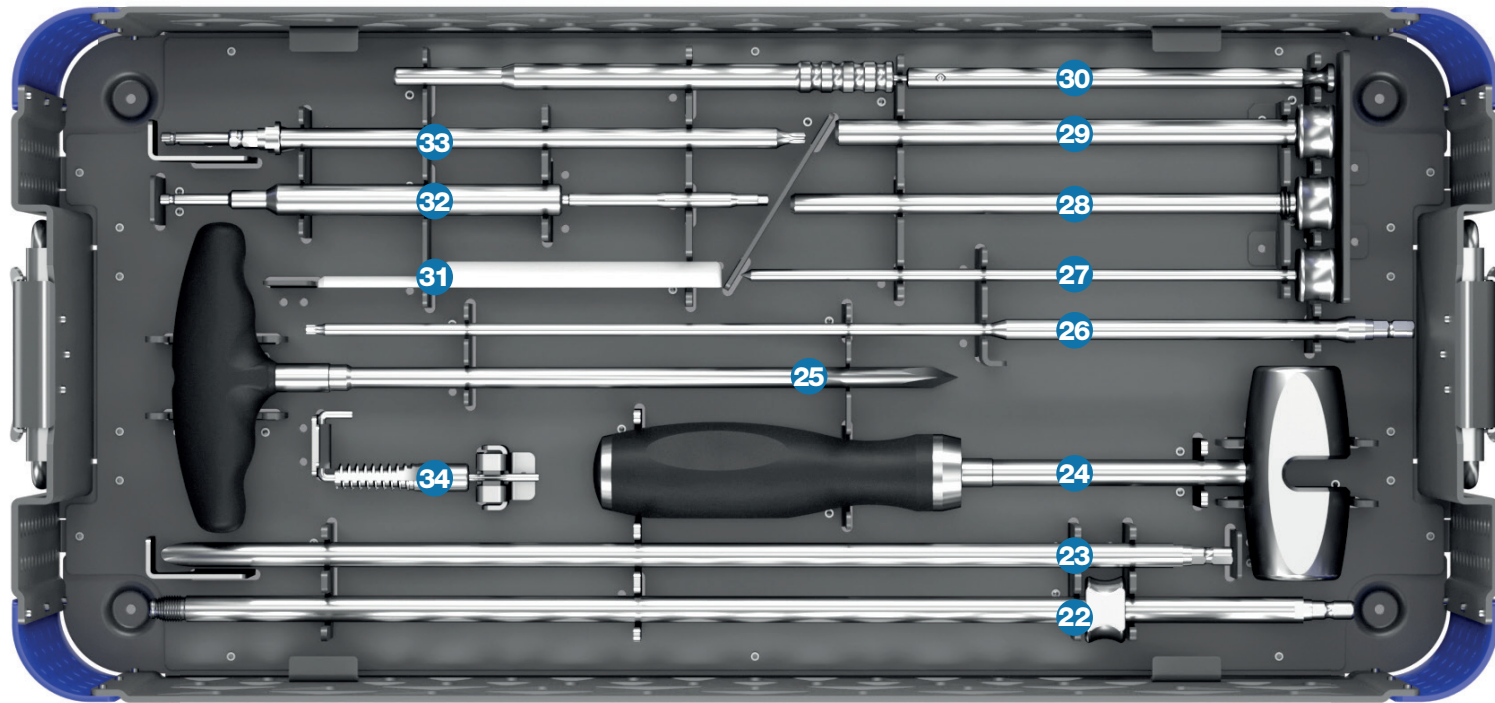
Tray Layout Card



| REF | Description | REF | Description |
|----------|--|-----------|---|
| 1 | T5-0460-000 Channel Tube | 6 | T5-0160-000 Opening Reamer Sleeve |
| 2 | T5-0180-000 Guide Wire Driver | 7 | T5-0110-000 T-Handle, Zimmer/Hall Coupling |
| 3 | T5-0100-000 Handle, AO small | 8 | T5-0400-000 Strike Plate |
| 4 | T5-0410-000 Guide Wire Pusher | 9 | T5-0150-000 Repositioning Guide |
| 5 | T5-0170-000 Opening Reamer, Zimmer/Hall | 10 | T5-0190-000 Ruler for Long Nails |



| REF | Description | REF | Description |
|-----------|--|-----------|---|
| 11 | T5-0230-000 Lag Screw Guide Sleeve | 16 | T5-0450-000 Compression Device - Lever |
| 12 | T5-0290-000 Lag Screw Driver | 17 | T5-0450-000 Compression Device |
| 13 | T5-0220-000 Ball Tip Screwdriver, 8.0mm, Zimmer/Hall | 18 | T5-0200-000 Nail Holding Bolts |
| 14 | T5-0240-000 K-wire Sleeve | 19 | T5-0210-000 Targeting Device |
| 15 | T5-0280-000 Lag Screw Measuring Gauge | 20 | T5-0250-000 Lag Screw Drill, Ø11mm, Zimmer/Hall |
| | | 21 | T5-0260-000 Lag Screw Drill Stop |



| REF | Description | REF | Description |
|-----------|---|-----------|---|
| 22 | T5-0430-000 Extraction Rod, Zimmer/Hall | 29 | T5-0320-000 Locking Screw Guide Sleeve |
| 23 | T5-0420-000 Reduction Spoon, Zimmer/Hall | 30 | T5-0380-000 Depth Gauge |
| 24 | T5-0440-000 Slotted Hammer | 31 | T5-0370-000 Direct Measuring Gauge |
| 25 | T5-0120-000 Awl, Curved | 32 | T5-0310-000 Flexible Screwdriver, 4.0mm, AO Small |
| 26 | T5-0560-000 Screwdriver Bit T15 | 33 | T5-0390-000 Screwdriver Bit T25 |
| 27 | T5-0340-000 Locking Screw Trocar | 34 | T5-0530-000 Lag Screw Tap |
| 28 | T5-0330-000 Locking Screw Drill Sleeve | | |