

# hammerthread™

Small bone deformities correction



Seeing is **Believing**

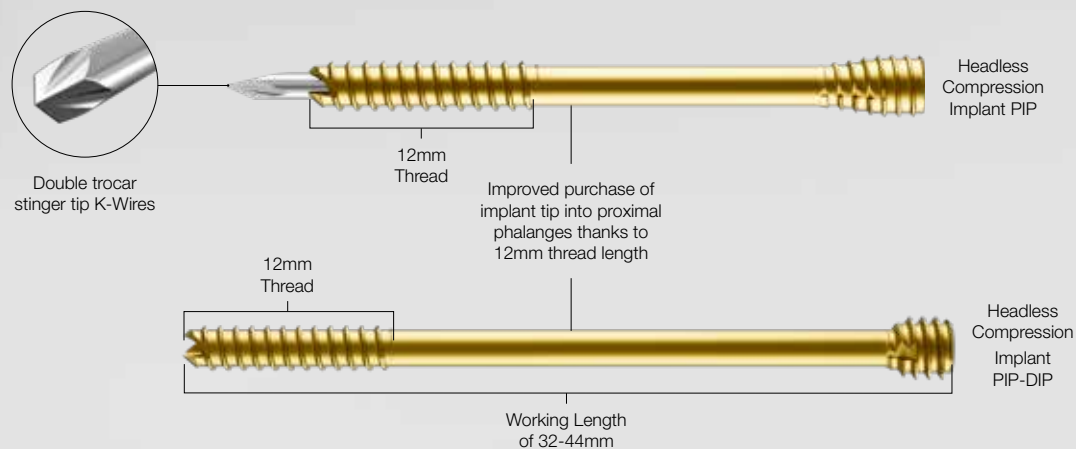
**GLW** Foot & Ankle



# Effective and reliable

HammerThread is a  $\text{\O}2.5\text{mm}$  cannulated, titanium implant, designed specifically for the correction of smaller toe deformities.

A small and effective portfolio of implants with appropriate design and length options for proximal and distal interphalangeal joint (PIPJ-DIPJ) arthrodesis.



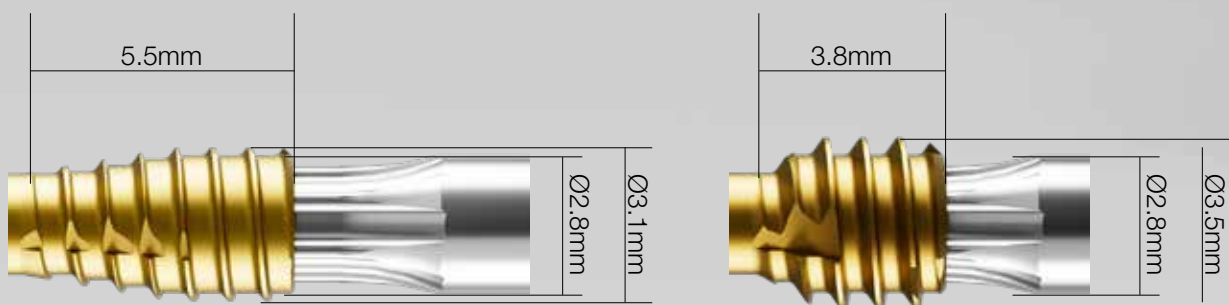
The length span of 32–44mm allows the appropriate fixation of PIP and DIP joints for a wide range of anatomies.

# Superior precision

The HammerThread implants were designed to provide surgeons with a minimally invasive and reliable solution to address smaller toe deformities.

The system is comprised of  $\text{\O}2.5\text{mm}$  titanium Ti64 implants that accept  $\text{\O}1.3$  K-Wires. This combination results in superior precision during insertion and ample stability during the reduction of proximal and distal interphalangeal joints (PIPJ-DIPJ).

The double stinger tip design of the K-Wires also allows for retrograde insertion of the HammerThread implants for both PIPJ and DIPJ fixation.





**Reverse-Cutting Design**  
Expedites implant extraction



**Forward-Cutting Design**  
Accelerates screwhead countersinking



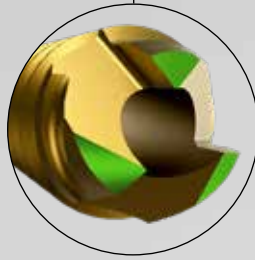
**Large Cannulation**  
Accepts Ø1.3mm K-Wires



**Tapered Head Design of PIP Screws**  
Seamless fixation of PIPJ



**Torx Interface**  
Promotes a sturdy driver /implant interface



**Self-Drilling Tip Design**

Aggressive Tri-tip design for unmatched cutting performance



**Self-Tapping Tip Design**



**Reverse-Cutting Feature**

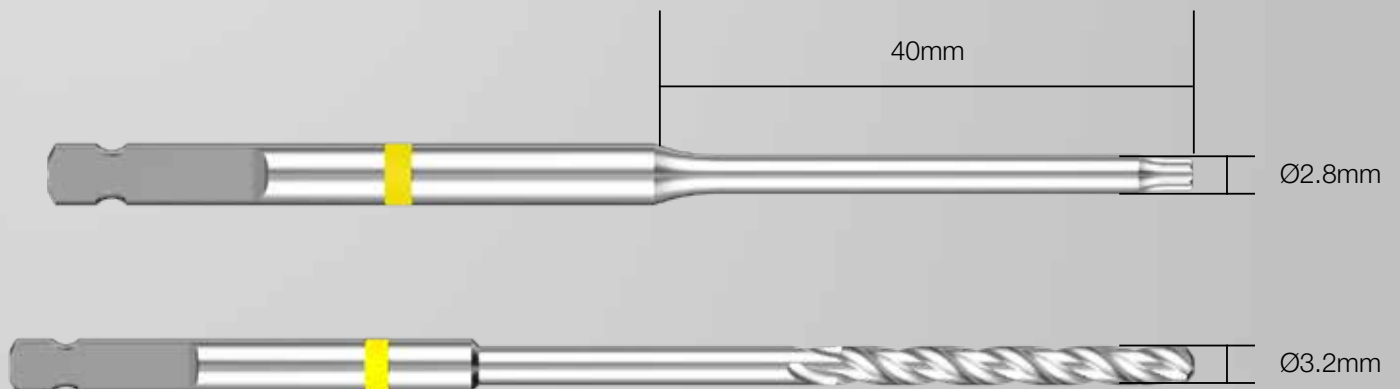
Facilitates removal of implant



# Ready-to-use, everytime.

The instrumentation is provided in a sterile, ready-to-use instrument kit designed specifically for the correction of smaller toe deformities.

The instrument kit includes 4x double stinger tip  $\text{\O}1.3\text{mm}$  K-Wires, a mini depth gauge, an AO-handle and a cannulated T8 driver with a tapered shaft that matches the implants outer diameter and allows the compression of the PIPJ only without requiring additional hole preparation.



# hammerthread™

Small bone deformities correction



Scan for more  
product information

CAUTION: Federal (USA) law restricts this device to sale by or on the order of a surgeon. Rx only.

GLW, Inc, GLW Medical Innovation, Carbon22 and Hammerthread are trademarks of GLW, Inc. Innov8ortho is the exclusive distributor of the Hammerthread Lesser Toe Deformity Correction.

[www.glwmed.com](http://www.glwmed.com)

© 2025 GLW, Inc. All rights reserved.  
Patents: [www.glwmed.com/patents/](http://www.glwmed.com/patents/)



**Legal Manufacturer:**

GLW, Inc.  
930 Sylvan Ave, Suite 125  
Englewood Cliffs, NJ 07632

**innov8ortho®**

**Distributed by:**

Innov8ortho, LLC  
930 Sylvan Ave, Suite 125  
Englewood Cliffs, NJ 07632  
[custsvc@innov8ortho.com](mailto:custsvc@innov8ortho.com)

Ref: HAM-OT-Ed1-01-25-EN